

BP301 Datasheet

BACK PRESSURE REGULATOR



● Gas ● Liquid | ● Diaphragm ● Piston | ● Self-Venting ● Non-Venting | Max Rating: 150 bar (2,175 psi) | Control Range: 150 bar (2,175 psi) | Cv 0.1



INTRODUCING THE BP301...

The BP301 is a piston-sensed back pressure regulator for accurate back pressure control on both gas (PTFE seat) and liquid applications. It is available with flanged connections, perfect for systems that do not accept other options.

With a lightweight and compact design, in addition to a lower Cv of 0.1, the BP301 can control pressures of up to 150 bar (2,175 psi). Alternatively, with a higher Cv of 0.5, it can control up to 35 bar (510 psi).

SPECIFICATION

Max. Rating	150 bar (2,175 psi)
Control Range	Up to 150 bar (2,175 psi)
Design Proof Pressure	150% max. working pressure
Seat Leakage	In accordance with ANSI/FCI 70-3
Weight	0.9kg (2lbs)

Pressure regulator rating may be limited by connection type, Cv and/or seat material

STANDARD MATERIALS OF CONSTRUCTION

PART	MATERIALS
Body and Bonnet	AISI 316/316L Stainless Steel (UNS S31600/S31603)
Main Valve Pin	AISI 316/316L Stainless Steel (UNS S31600/S31603)
Soft Seat	PEEK™ or PTFE
Piston	AISI 316/316L Stainless Steel (UNS S31600/S31603)
Handwheel	Nylon
O-Rings	FKM/FPM
Loading Spring	AISI 302 Stainless Steel (UNS S30200)

FEATURES AND BENEFITS

1 PISTON SENSING ELEMENT

Perfect for use in challenging conditions.

2 SUITABLE FOR GAS OR LIQUID APPLICATIONS

Versatile usage across a range of media-types.

3 CHOICE OF LOW FLOW COEFFICIENTS

Accurate control of process media with a CV of 0.02, 0.1 or 0.5.

4 LIGHTWEIGHT & COMPACT DESIGN

Perfect for when installation space is restricted.

NOTE: Product availability and specifications contained herein are subject to change without notice. Consult local distributor or factory for potential revisions and/or service related issues. Pressure Tech Ltd support with product selection recommendations only - it is the users responsibility to ensure the product is suitable for their specific application requirements.



DESIGNED AND BUILT IN THE UK

PRESSURE TECH LTD

Unit 24, Graphite Way, Hadfield, Glossop, Derbyshire, UK, SK13 1QH

T +44 (0)1457 899 307

E sales@pressure-tech.com

W www.pressure-tech.com

010620

PAGE:
1 OF 4

BP301 Datasheet

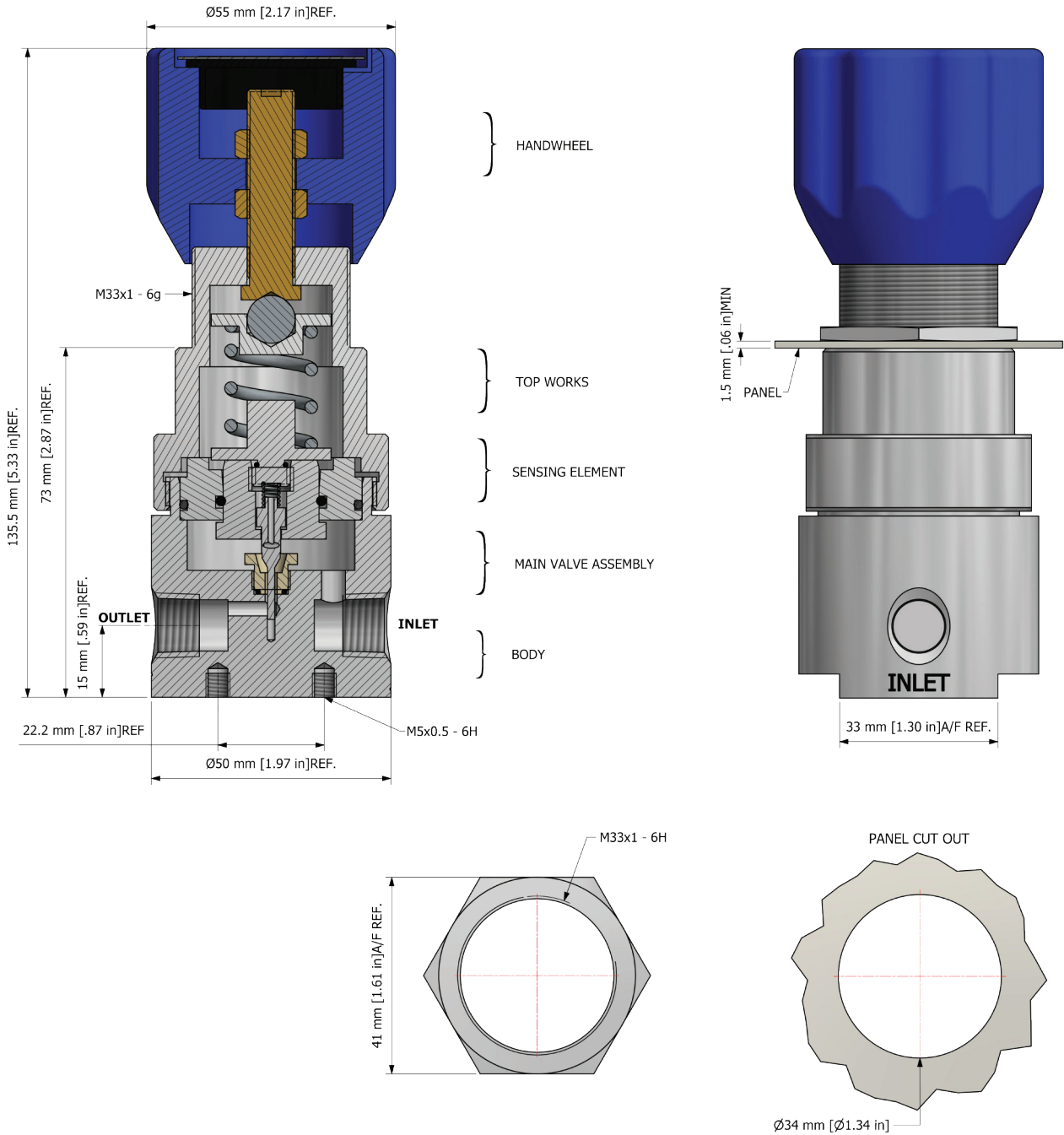
BACK PRESSURE REGULATOR



Gas
 Liquid
 Diaphragm
 Piston
 Self-Venting
 Non-Venting
 Max Rating: 150 bar (2,175 psi)
 Control Range: 150 bar (2,175 psi)
 Cv 0.1

DRAWINGS AND INSTALLATION DIMENSIONS

Dimensions shown for 1/4" NPT option - please contact the office for additional connections options.



Note:
All gauge ports are 1/4" NPT as standard.

NOTE: Product availability and specifications contained herein are subject to change without notice. Consult local distributor or factory for potential revisions and/or service related issues. Pressure Tech Ltd support with product selection recommendations only - it is the users responsibility to ensure the product is suitable for their specific application requirements.



DESIGNED AND BUILT IN THE UK

PRESSURE TECH LTD
 Unit 24, Graphite Way, Hadfield, Glossop, Derbyshire, UK, SK13 1QH
 T +44 (0)1457 899 307
 E sales@pressure-tech.com
 W www.pressure-tech.com

010620

PAGE:
2 OF 4

BP301 Datasheet

BACK PRESSURE REGULATOR

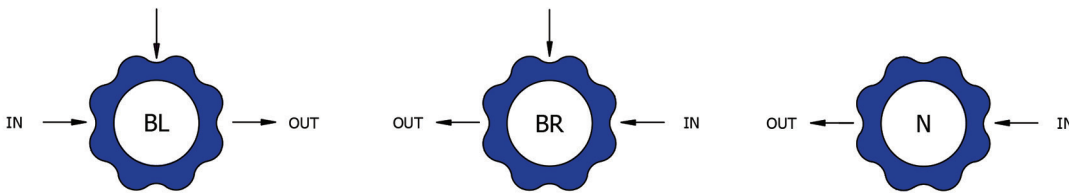


Gas Liquid | Diaphragm Piston | Self-Venting Non-Venting | Max Rating: 150 bar (2,175 psi) | Control Range: 150 bar (2,175 psi) | Cv 0.1

FLOW CURVE

Please contact the office for further information.

PORTING CONFIGURATIONS



Note:

Additional porting configurations are available - please contact the office for further information.

NOTE: Product availability and specifications contained herein are subject to change without notice. Consult local distributor or factory for potential revisions and/or service related issues. Pressure Tech Ltd support with product selection recommendations only - it is the users responsibility to ensure the product is suitable for their specific application requirements.



DESIGNED AND BUILT IN THE UK



PRESSURE TECH LTD

Unit 24, Graphite Way, Hadfield, Glossop, Derbyshire, UK, SK13 1QH
T +44 (0)1457 899 307
E sales@pressure-tech.com
W www.pressure-tech.com

010620

PAGE:
3 OF 4

BP301 Datasheet

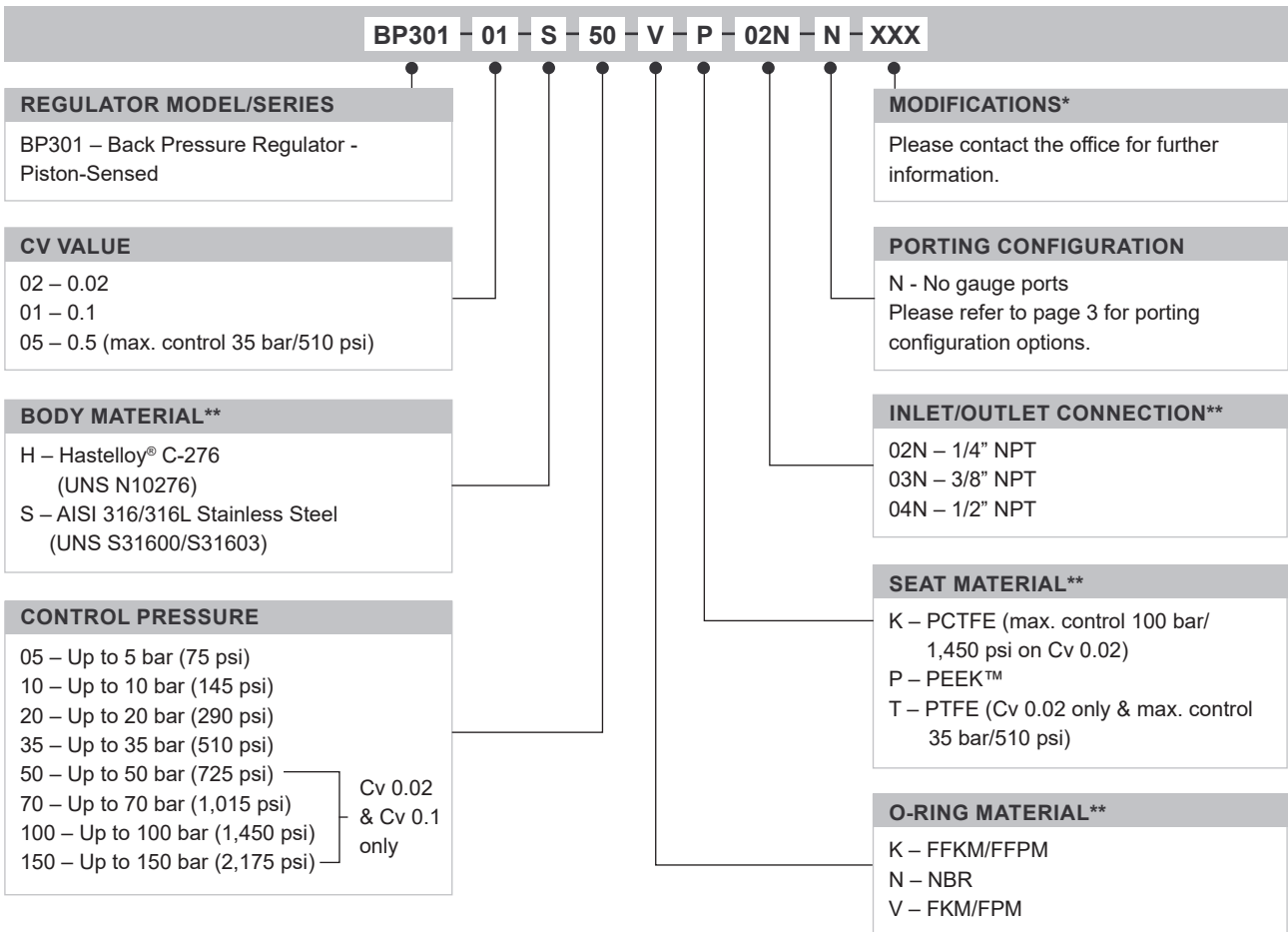
BACK PRESSURE REGULATOR



Gas
 Liquid
 Diaphragm
 Piston
 Self-Venting
 Non-Venting
 Max Rating: 150 bar (2,175 psi)
 Control Range: 150 bar (2,175 psi)
 Cv 0.1

ORDERING INFORMATION

To build a Pressure Tech part number, simply combine the characters identified below in sequence:



OPTIONAL EXTRAS		
	PART NUMBER	DESCRIPTION
Service Kit	SRK-BP301...	Various options available
Panel Mounting Ring	PT-C-024	Stainless Steel panel mount ring

Note:
Ancillary equipment also available

TRADEMARKS: PEEK™ is a trademark of Victrex PLC
Hastelloy® is a registered trademark of Haynes International, Inc

* Where applicable
** Other connections/materials may be available - contact the office

NOTE: Product availability and specifications contained herein are subject to change without notice. Consult local distributor or factory for potential revisions and/or service related issues.
Pressure Tech Ltd support with product selection recommendations only - it is the users responsibility to ensure the product is suitable for their specific application requirements.



DESIGNED AND BUILT IN THE UK

PRESSURE TECH LTD
Unit 24, Graphite Way, Hadfield, Glossop, Derbyshire, UK, SK13 1QH
T +44 (0)1457 899 307
E sales@pressure-tech.com
W www.pressure-tech.com

010620

PAGE:
4 OF 4